

SYs **CORPORATION**

RI series

Single Cartridge In-Line Air Filter Housing

- ▶ Gasket: EPDM / VITON / SILICONE / TEFLON+EPDM
- ▶ Surface finish : Polishing/ Electrolyze & Polishing(EP)
- ▶ Material : 304/316/316L
- ▶ Design P : 10Kg/cm²
- ▶ Operating P : 7Kg/cm²
- ▶ Design T : 100°C
- ▶ Operating T : 75°C



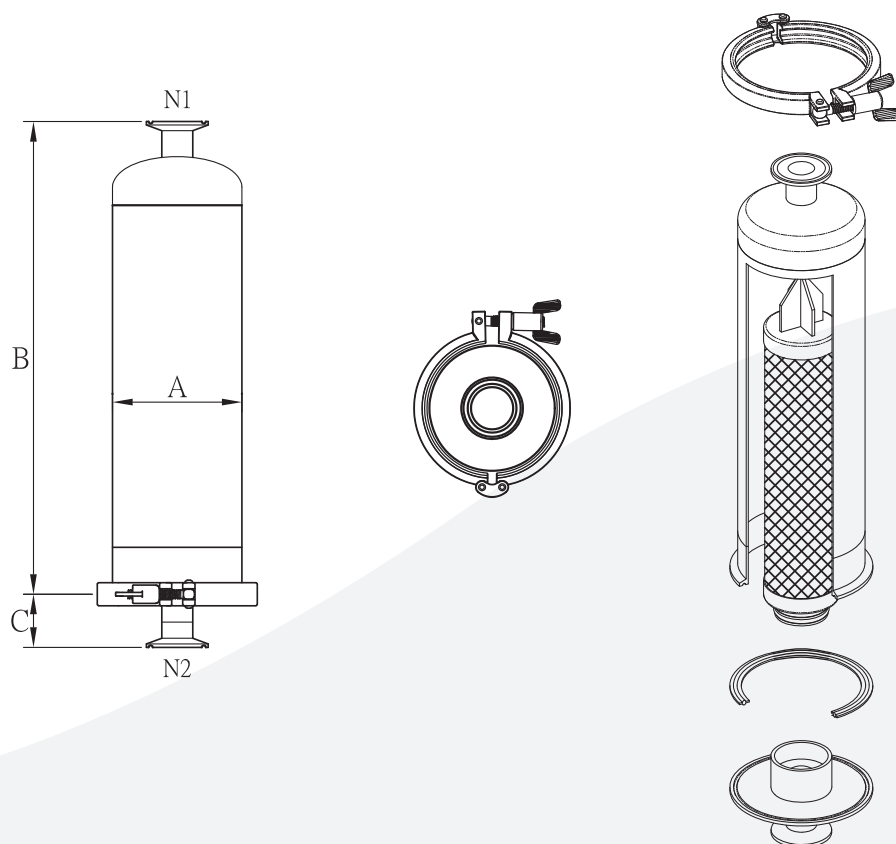
FEATURES

- ▶ Inside and outside surface finish polished up to Ra 0.2μm, conform to sanitary grade.
- ▶ Taking apart without tools with patented clamp, making easy to maintain.
- ▶ Forged bottom to increase the pressure resistance, not easily deformed.
- ▶ Smooth surface without dead angle and bacterial residue.
- ▶ Easy piping with aligned design of inlet & outlet.
- ▶ Lightweight, small size, save installation space.



RI series

Single Cartridge In-Line Air Filter Housing



SPECIFICATIONS

Model	Length of Cartridge	A m/m	B m/m	C m/m	(Air) M ³ /Hr	Weight
1RI1	10"	Ø101.6	384	43.5	4	3.5 kg
1RI2	20"	Ø101.6	639	43.5	8	4.8 kg
1RI3	30"	Ø101.6	894	43.5	12	6.2 kg

PURCHASE CODE

1RI	1	C5	4	25	J	E	3	3
Product code	Length of Cartridge	Cartridge	Material	In&Outlet size	In&Outlet type	Gasket Material	Interior surface finished	Exterior surface finished
	1-10"	CF-DOE	4-304	15-1/2"	10K-JIS	E-EPDM	3-Polishing	3-Polishing
	2-20"	C5-222+Fin	6-316	20-3/4"	150P-ANSI	V-Viton	4-Electrolyze& Polishing (EP)	4-Electrolyze& Polishing (EP)
	3-30"	C7-226	6L-316L	25-1"	PN10-DIN	S-Silicone		
				40-1-1/2"	J-Clamp	TE-Teflon+EPDM		
				50-2"	PF-BSPT-F			
					BF-BSPF-F			
					NF-NPT-F			

► SYS standard inlet/outlet size is 1" sanitary clamp.

► Filter element for optional purchase.